

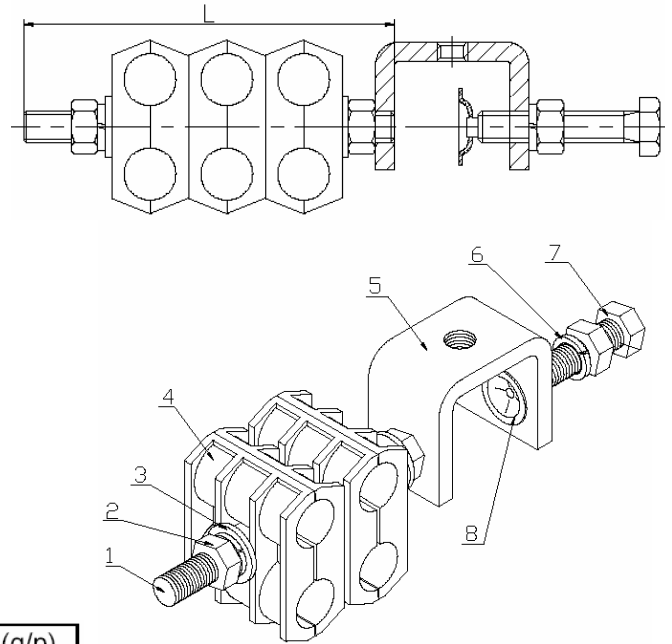


# HPL Double Feeder Clamp

# TSX-07X

## Description

- Part 1:** Threaded rod M8×L mm      Dacromet® SUS 430
- Part 2:** Nut                                      Dacromet® SUS 430
- Part 3:** Washer Φ8 mm                      Dacromet® SUS 430
- Part 4:** Plastic Clamp                        Polypropylene
- Part 5:** C-Frame                                Dacromet® SUS 430
- Part 6:** Spring Washer                      Dacromet® SUS 430
- Part 7:** Bolt M8 × 40 mm                Dacromet® SUS 430
- Part 8:** Bowl Washer                        Dacromet® SUS 430
- Inner diameter of clamp hole:**            Φ11 mm



Product code	L (mm)	Drawing	weight (g/p)
C1210X	55		132
C1211X	90		155
C1212X	110		172

## Mechanical & Environmental Characteristics

- Color:** Black
- Use temperature range:** -40 °C < θ < +70 °C
- RoHS compliance:** Yes
- UV resistance:** Pass