



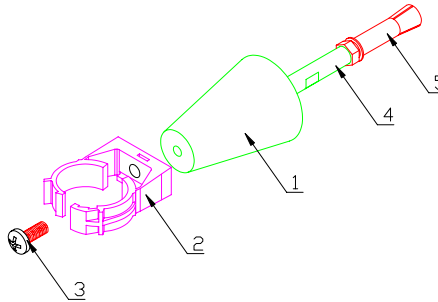
TECHNICAL SPECIFICATION DATA SHEET

TSX-05

Simple Clamp for Leaky cable

Page: 1/1

1. DRAWING



2. GENERAL CHARACTERISTICS

Color of the body		: Black
Material	Part 1	: Nylon
	Part 2	: Nylon
Material of the screw (Part 3)		: Stainless steel
Material of nut tube (Part 4)		: Stainless steel
Material of Expansion screw (Part 5)		: Stainless steel
Use temperature range		: - 40° C < θ < + 70° C

3. TYPE

Product Code	Type	Weight(g)
C0771X	1/2RM	120
C0772X	7/8RM	126
C0773X	1-1/4RM	162
C0774X	1-5/8RM	165

Edition: A1 – 24/10/2007