



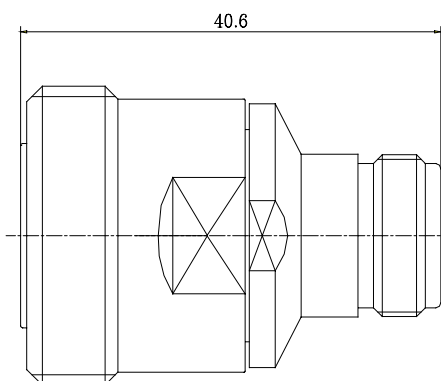
TECHNICAL SPECIFICATION

AST-C0090A

Adapter Din Female / N Female

A0-04/03/08

1. DIMENSIONS (mm)



2. ELECTRICAL CHARACTERISTICS

Impedance			: $50 \Omega \pm 2\%$
Operating frequency range			: DC-3GHz
Insulation resistance			: $\geq 5000M \Omega$
Contact resistance	N interface	Inner conductor	: $\leq 1m \Omega$
		Outer conductor	: $\leq 0.25m \Omega$
	Din interface	Inner conductor	: $\leq 0.4m \Omega$
		Outer conductor	: $\leq 0.2m \Omega$
Voltage test (at sea level)			: 2.5kv eff/50Hz
Operating Voltage(at sea level)			: 1.5kv eff/50Hz
Reflexion coefficient			: ≤ 1.10
Screening effectiveness			: $\geq 115dB$

3. MECHANICAL CHARACTERISTICS

Coupling standard			: Compliance with IEC169-16 and IEC169-4 standard
Body			: Copper alloy-plated brass
Insulator			: PTFE
Inner conductor			: Silver plated bronze
Coupling torque	N interface		: 2.5N.m
	Din interface		: 30N.m
Operating temperature range			: $-40 \text{ }^\circ\text{C} < \theta < +85 \text{ }^\circ\text{C}$
Weight			: 102 g