
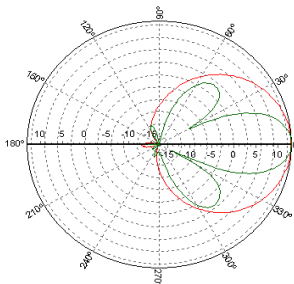


Product name		
7225.04	U-900-65-13i-0-D	
Electrical Specifications		
Frequency range (MHz)	870 - 960	
Polarization	Linear vertical	
Gain (dBi)	13	
Nominal impedance (ohm)	50	
VSWR, TX	< 1,3:1	
VSWR, RX	< 1,4:1	
Horizontal -3 dB beamwidth (°)	65 +/-4	
Vertical -3 dB beamwidth (°)	26	
Electrical downtilt (°)	0	
Vertical beam squint (°)		
Front-to-back ratio, co-polar (dB)	> 25	
First upper sidelobe suppression (dB)	> 9	
First null below horizon (dB)	N/A	
Maximum input power (W)	300	
IM, 3rd order, 2 Tx at 43 dBm (dBm)	< -107	
Mechanical Specifications		
Connector type	7/16	
Connector position	bottom	
Dimensions, HxWxD	660x256x50mm (2'2"x10"x2")	
Weight including bracket	5kg (11lbs)	
Wind load, frontal, 42 m/s Cd=1 (N)	190	
Survival wind speed (m/s)	55	
Lightning protection	DC grounded	
Radome material	PVC	
Radome colour	Light gray*	
Packing size	770x308x121mm (2'6"x1'x5")	
Shipping weight	6kg (13lbs)	
Comments		
<p>Gain is typical within frequency band.</p> <p>Sidelobe suppression and null fill is relative to peak of main beam.</p> <p>Front-to-back ratio is defined within 20° from the backwards direction in any plane.</p> <p>Radiation patterns are typical for the antenna.</p> <p>Shipping weight including tilt brackets. Antenna is delivered with brackets premounted</p> <p>* Radome colour is NCS 2502-B (RAL 7035).</p>		